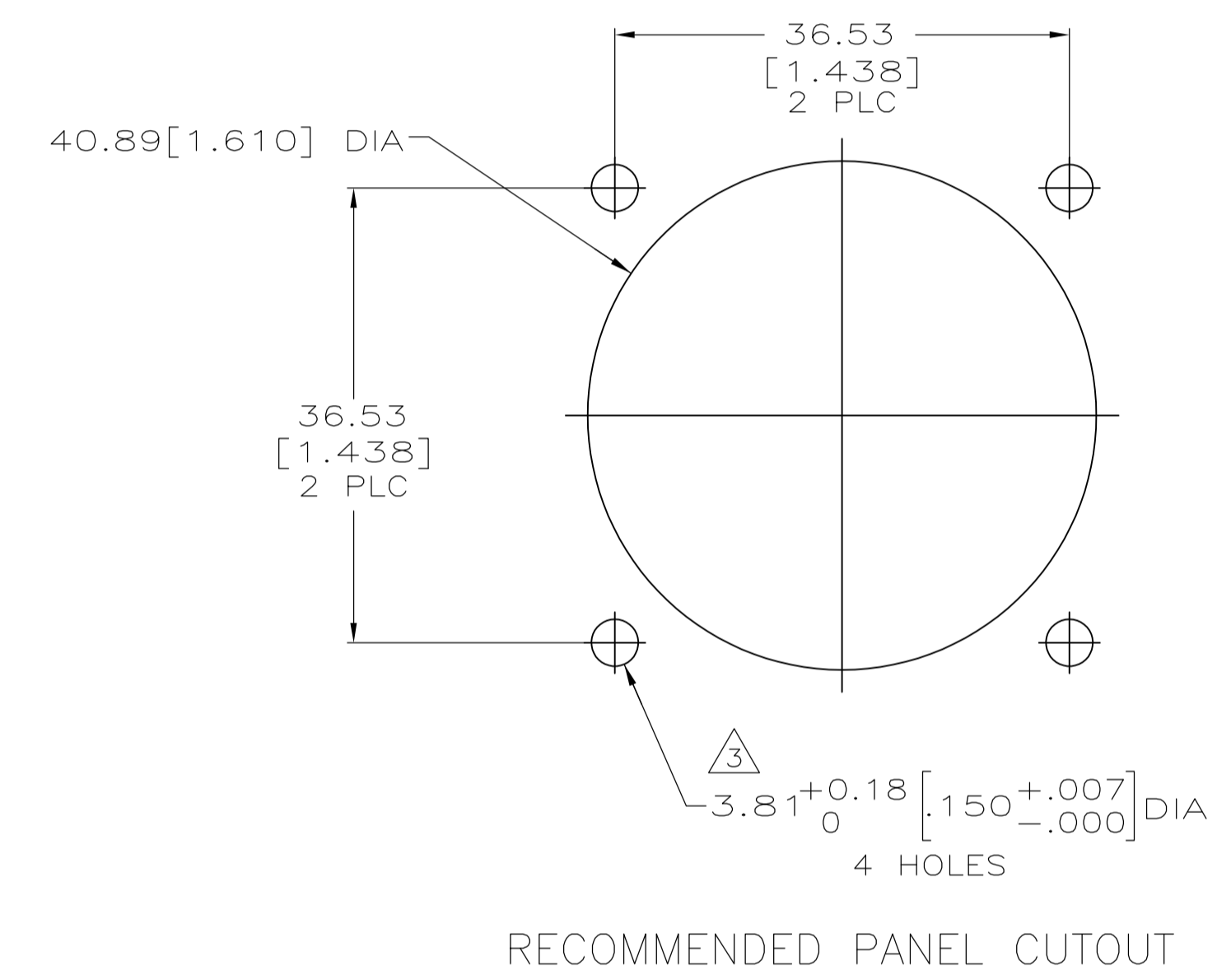
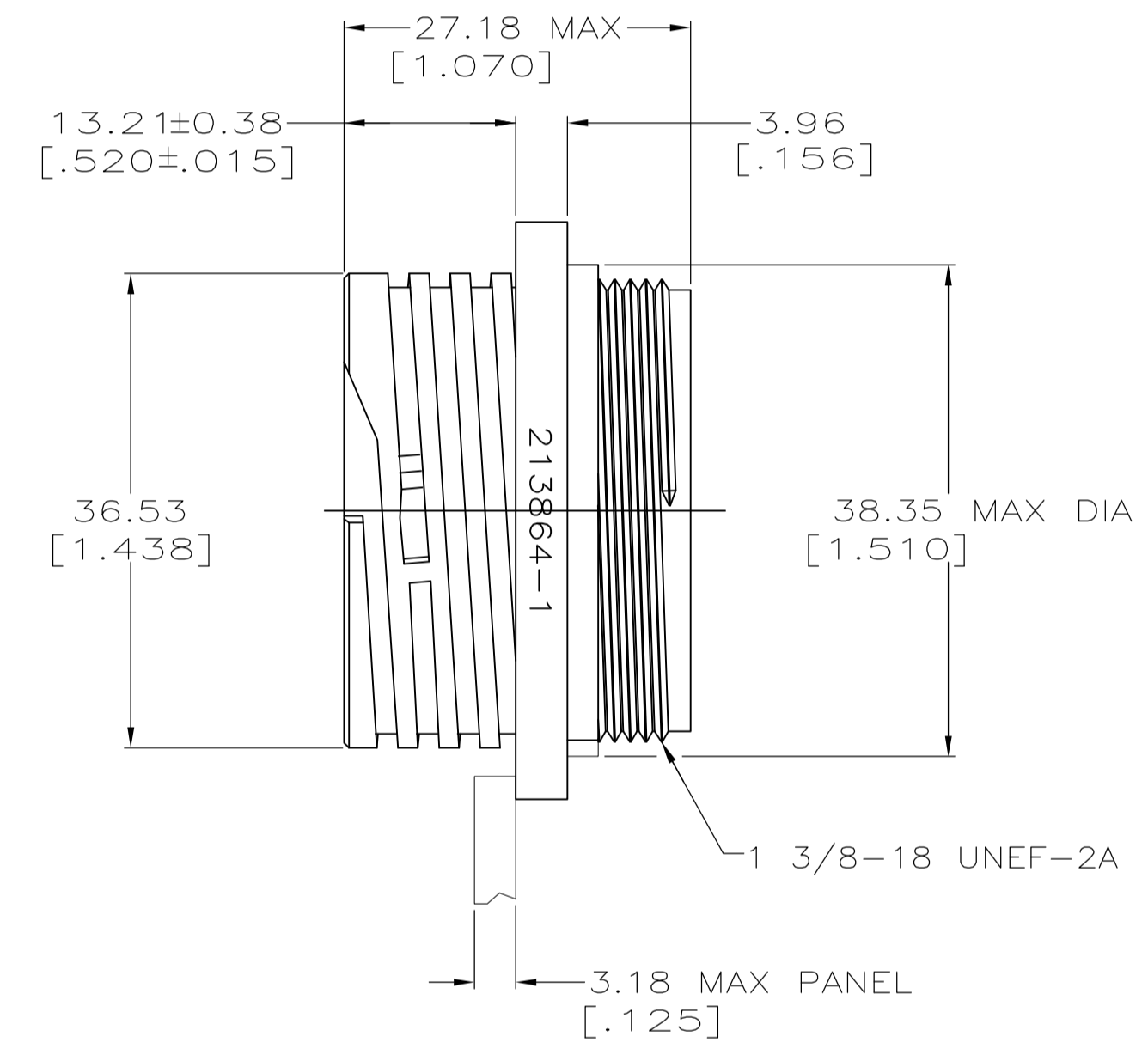
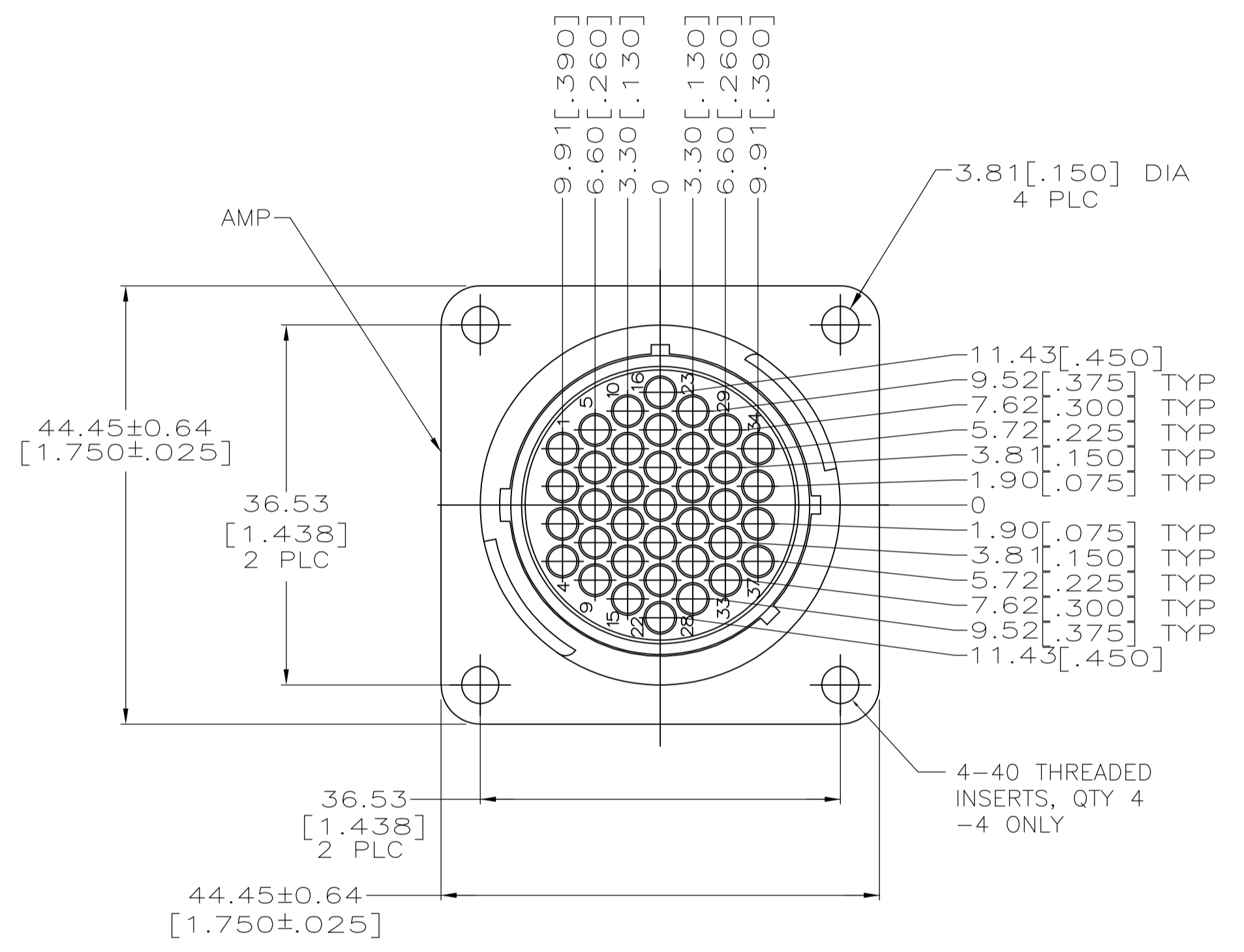


LOC		DIST		REVISIONS			
F	LTR	DESCRIPTION	DATE	DNW	APVD		
B		REVISE PER ECO-08-000048	1/2/08	SS	SH		

1. CAVITY IDENTIFICATION ON FRONT AND REAR FACE.
2. WILL ACCEPT THIRTY-SEVEN (37) MULTIMATE SOCKET CONTACTS.
3. NO 4 FASTENER RECOMMENDED FOR MOUNTING.
4. MATERIAL: GLASS REINFORCED NYLON.
5. MATERIAL: GLASS REINFORCED NYLON, 100% VIRGIN.



NOTES	4-40 INSERTS	PART NUMBER
4	YES	213864-4
3	NO	213864-2
4	NO	213864-1

THIS DRAWING IS A CONTROLLED DOCUMENT.		DIN K.FOLTZ 12/22/94	Tyco Electronics Corporation Harrisburg, PA 17105-3608	
DIMENSIONS: mm [INCHES]		CHK R.STONE 01/05/95	NAME RECEPTACLE HOUSING, REVERSE SEX, SIZE 23, CPC	
TOLERANCES UNLESS OTHERWISE SPECIFIED:		APVD	PRODUCT SPEC 108-10024	
0 PLC ± -	1 PLC ± -	APPLICATION SPEC		
2 PLC ± 0.25 [.010]	3 PLC ± -	SIZE CAGE CODE DRAWING NO RESTRICTED TO		
4 PLC ± -	ANGLES ± -	WEIGHT A1 00779 C=213864		
MATERIAL NYLON, BLACK FINISH -		CUSTOMER DRAWING		SCALE 2:1 SHEET 1 OF 1 REV B